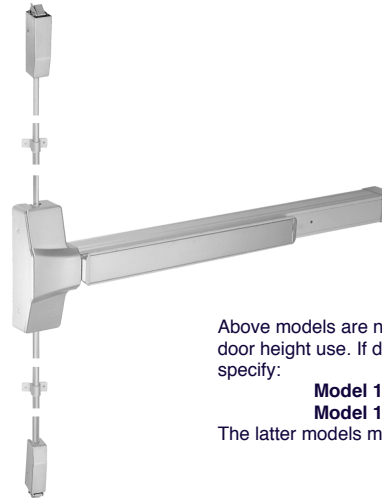


8630S/8830S : Panic-Rated SVR Exit Device
8630F/8830F : Fire-Rated SVR Exit Device



Certification

UL/cUL Listed : Panic Exit Hardware,
or 3-hour Fire Exit Hardware
ANSI Certified : ANSI A156.3 - 2001 Grade 1

Above models are not available for 9' or 10'
door height use. If doors over 8', to order and
specify:

Model 10FT-8630S / 10FT-8830S
Model 10FT-8630F / 10FT-8830F

The latter models must be certified by UL.

Applications

- Panic SVR exit devices are used for all types of single and double doors. Fire SVR exit devices are used for UL listed fire labeled single doors up to 8' x 8' (2438mm x 2438mm) double doors installation.
- The exit devices are available in the following finishes : US3, US4, US10, US10B, US26, US26D AND US32D.
- These SVR models cannot be omitted the bottom rod to use as Less Bottom Rod (LBR) devices. If LBR devices are desired, see the Less Bottom Rod Surface Vertical Rod Exit Devices page.

Specifications

Device Lengths-----	Short (36"): 33-15/32" (850mm), Long (48"): 44-3/4" (1137mm)
Door Widths-----	36" - For 29" to 36" (736mm to 914mm) door size 48" - For 33" to 48" (838mm to 1219mm) door size
Minimum Stile Width-----	4-1/4" (107mm)
Latch Bolt-----	Top latch - 5/8" (16mm) throw, can be deadlocked automatically Bottom latch - 5/8" (16mm) throw, held retracted during door swing
Strikes-----	Top - 812 (panic), 822 (fire). Bottom - 815 (panic), 825 (fire)
Dogging Kit-----	Panic device - Hex key dogging (RD) standard Fire device - No mechanical dogging (ND)
Dogging Options-----	Cylinder Dogging (CD) Less Dogging (LD)
Mounting Fasteners-----	Panic device - Machine screws furnished standard SNB furnished for top & bottom latches Fire device - Sex nuts and bolts (SNB) supplied standard SNB are required to use for wood doors, order SNB separately
Mounting Height-----	Device centerline from finished floor is 40" (1016m) standard
Door Opening Height-----	Standard door height is 7', 8' is available
Vertical Rods-----	1/2" (13mm) diameter tubular with rod guides Top rod has two pieces to connect for accomodating 7' or 8' door Bottom rod is one piece, it's lenthg is 31-1/4" (794mm)
Projection-----	Pushbar Neutral:3-1/16" (78mm), Pushbar Depressed: 2-19/32" (66mm)

LBR8630S/8830S : Panic-Rated SVR Exit Device Less Bottom Rod
LBR8630F/8830F : Fire-Rated SVR Exit Device Less Bottom Rod

Certification

Warnock Hersey Listed : Panic Exit Hardware
UL/cUL Listed : 3-hour Fire Exit Hardware
ANSI Certified : ANSI A156.3 - 2001 Grade 1

Applications

- Panic LBR exit devices are used for all types of single and double doors. Fire LBR exit devices are used for UL listed fire labeled pairs of steel doors up to 8' x 8' (2438mm x 2438mm).
- The exit devices are available in the following finishes : US3, US4, US10, US10B, US26, US26D AND US32D.

Note:

These LBR devices had been re-tested or approved by two nationally recognized test laboratories. Fire-rated LBR device must use with a UL listed Fire Latch Bolt, see the Fire Latch Bolt page.

Specifications

Device Lengths-----	Short (36"): 33-15/32" (850mm), Long (48"): 44-3/4" (1137mm)
Door Widths-----	36" - For 29" to 36" (736mm to 914mm) door size 48" - For 33" to 48" (838mm to 1219mm) door size
Minimum Stile Width-----	4-1/4" (107mm)
Latch Bolt-----	Top latch - 5/8" (16mm) throw, can be deadlocked automatically
Strikes-----	Top - 812 (panic), 822 (fire), or 866 (panic or fire)
Dogging Kit-----	Panic device - Hex key dogging (RD) standard Fire device - No mechanical dogging (ND)
Dogging Options-----	Cylinder Dogging (CD) Less Dogging (LD)
Mounting Fasteners-----	Panic device - Machine screws furnished standard SNB furnished for top & bottom latches Fire device - Sex nuts and bolts (SNB) supplied standard SNB are required to use for wood doors, order SNB separately
Mounting Height-----	Device centerline from finished floor is 40" (1016m) standard
Door Opening Height-----	Standard door height is 7', 8' is available
Vertical Rods-----	1/2" (13mm) diameter tubular with rod guides
Projection-----	Top rod has two pieces to connect for accomodating 7' or 8' door Pushbar Neutral:3-1/16" (78mm), Pushbar Depressed: 2-19/32" (66mm)

